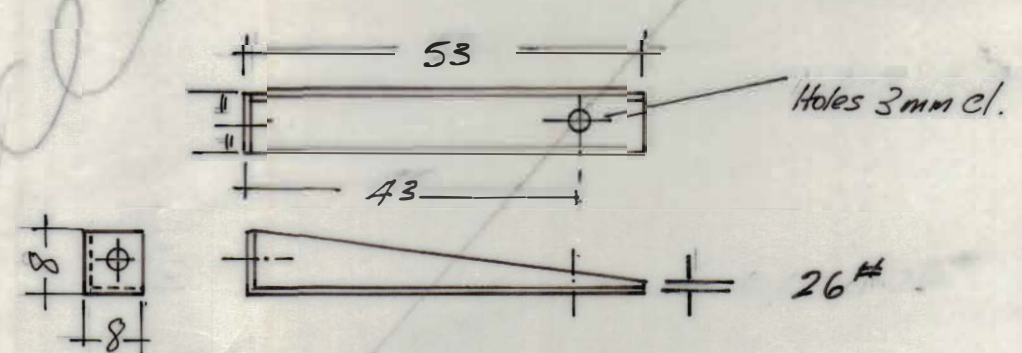
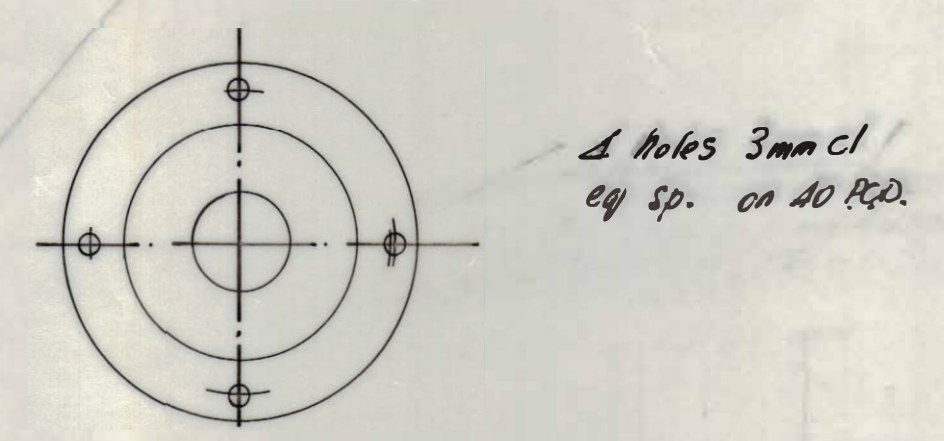


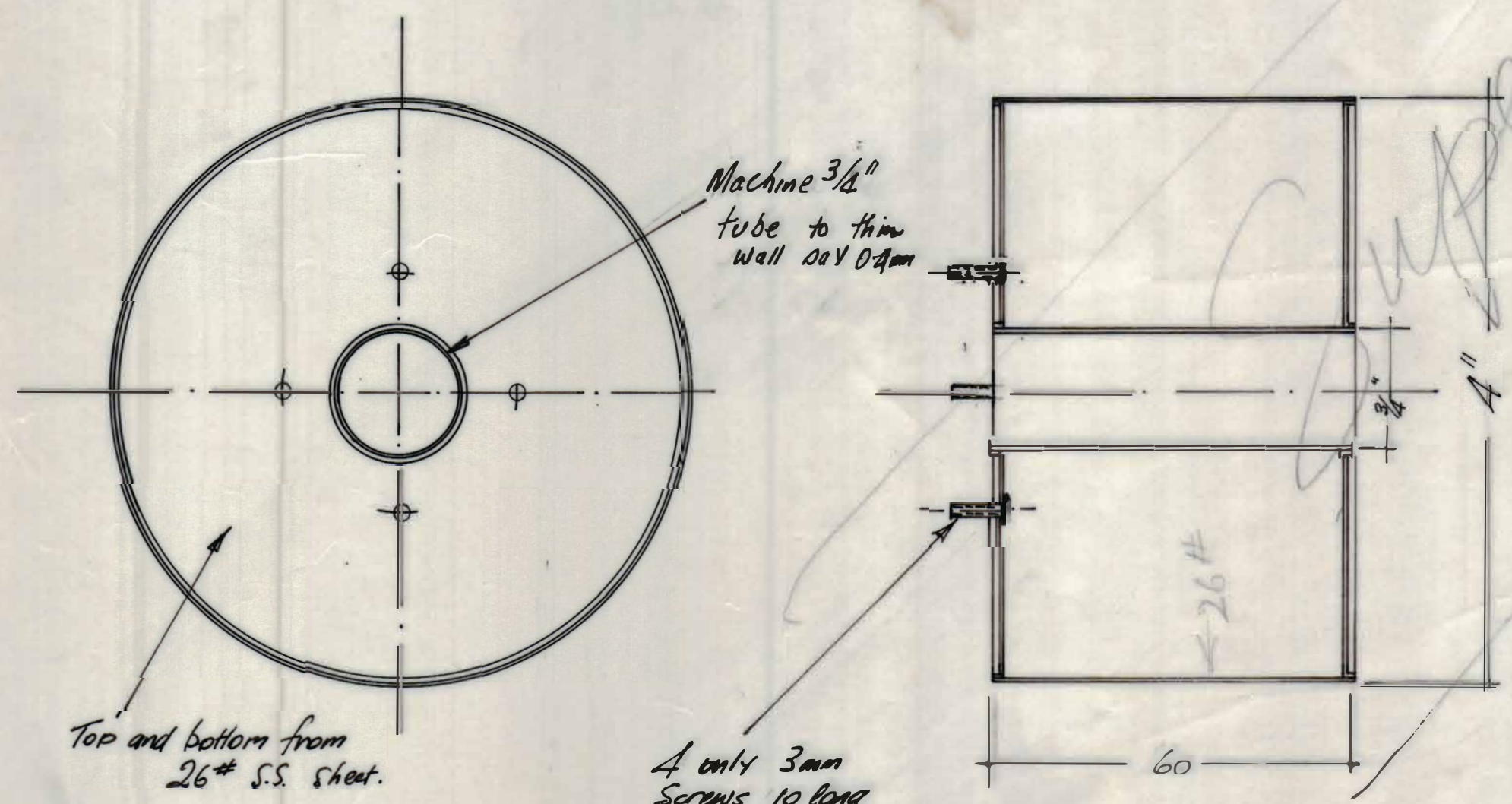
ITEM 2 SLIDING SPILLWAY 1 off SS, Teflon
Part Section A-A



ITEM 4 FLOAT SUPPORT SS 4 off



ITEM 3(A) FLOAT GUIDE TEFLON 1 off



ITEM 3 FLOAT S.S. 1 off

Top and bottom from 26# S.S. sheet.

MATERIAL	
SURFACE ROUGHNESS	
TOLERANCES: - UNLESS STATED	
ALL DIMENSIONS IN mm UNLESS STATED	
DRAWN REN	RESEARCH SCHOOL OF PHYSICAL SCIENCES AUSTRALIAN NATIONAL UNIVERSITY
DATE 31-3-82	OIL SKIMMER ITEMS 2-3-4
CHECKED	
APPROVED	SCALE FULL
	DRAWING No