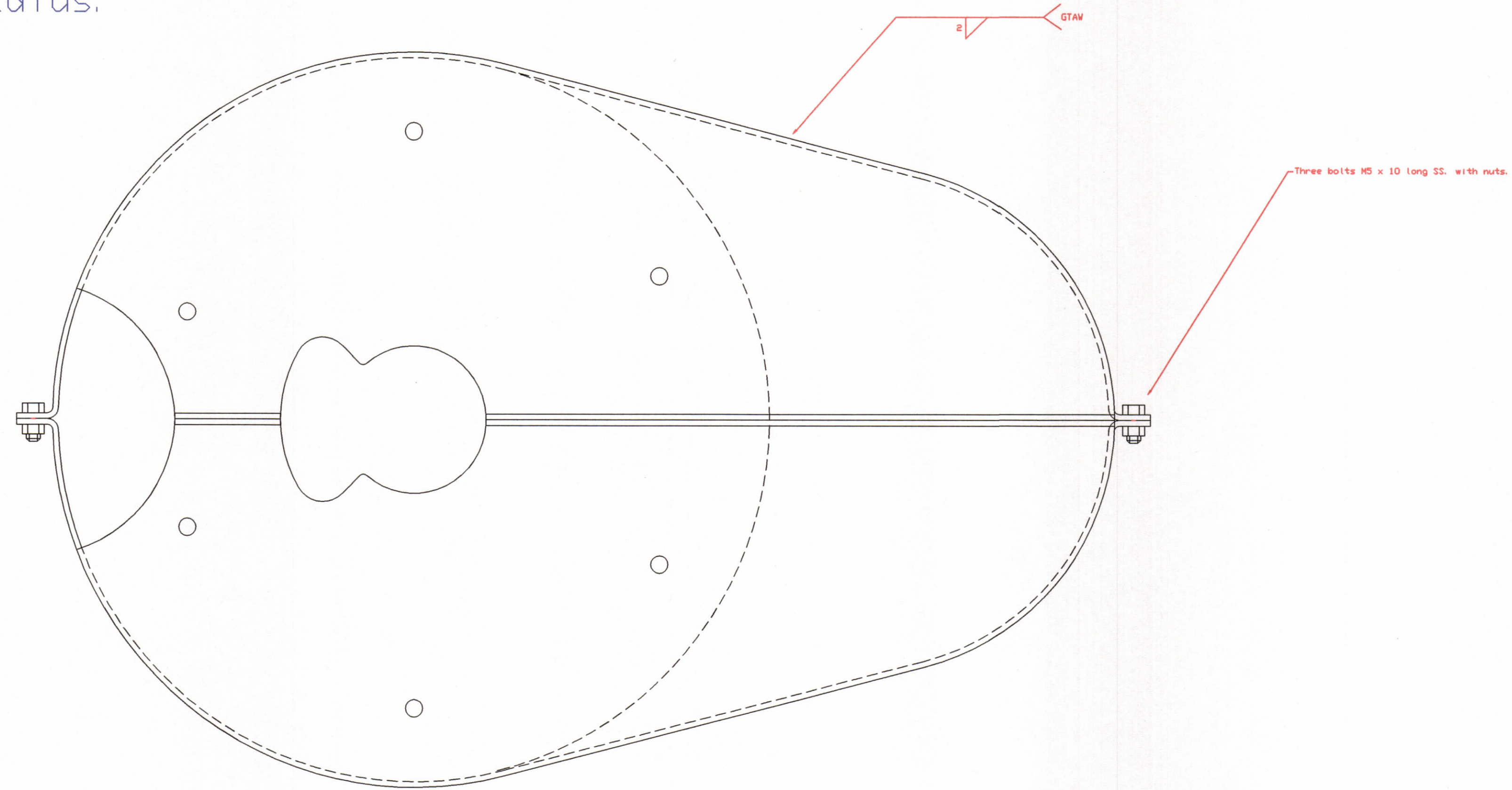


NOTE

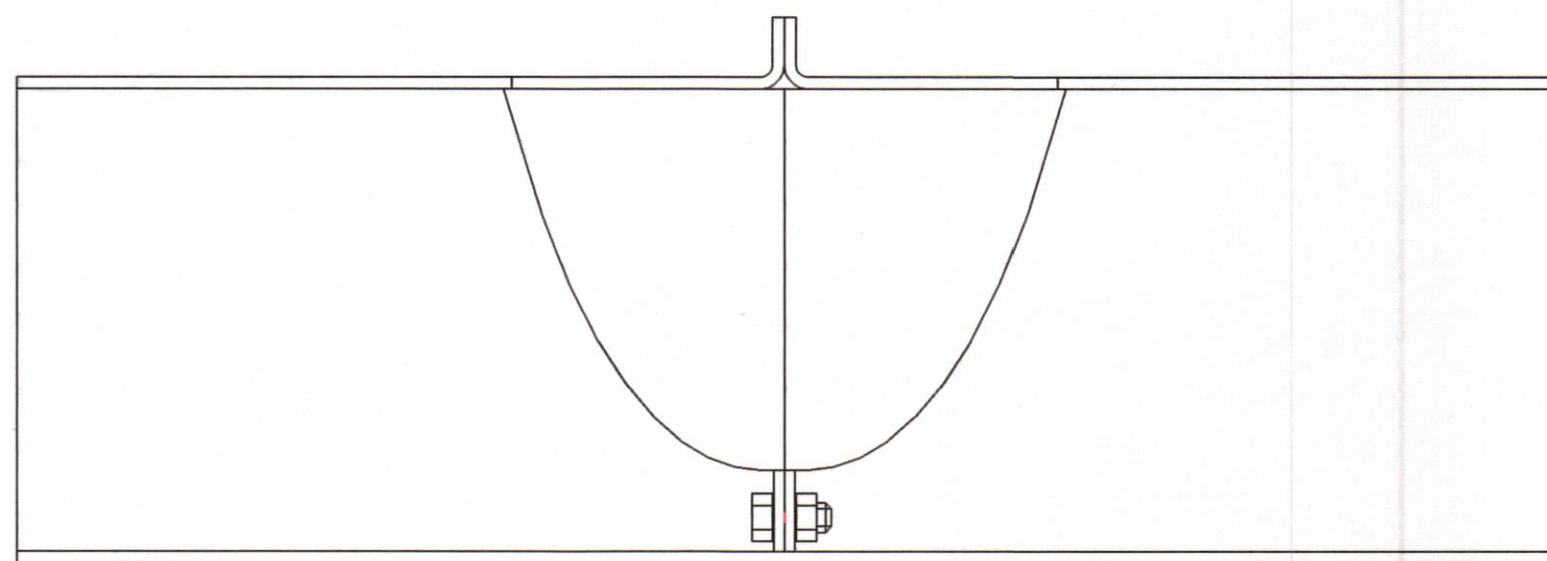
MATERIAL - 2mm Aluminium sheet.

FINISH - Powdercoat white.

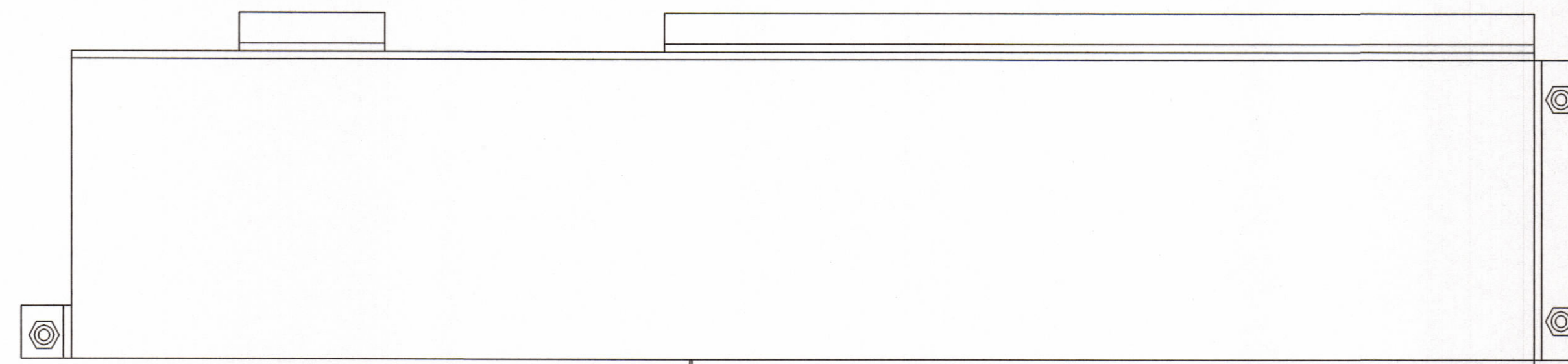
BENDS - All bends are 2mm inside radius.



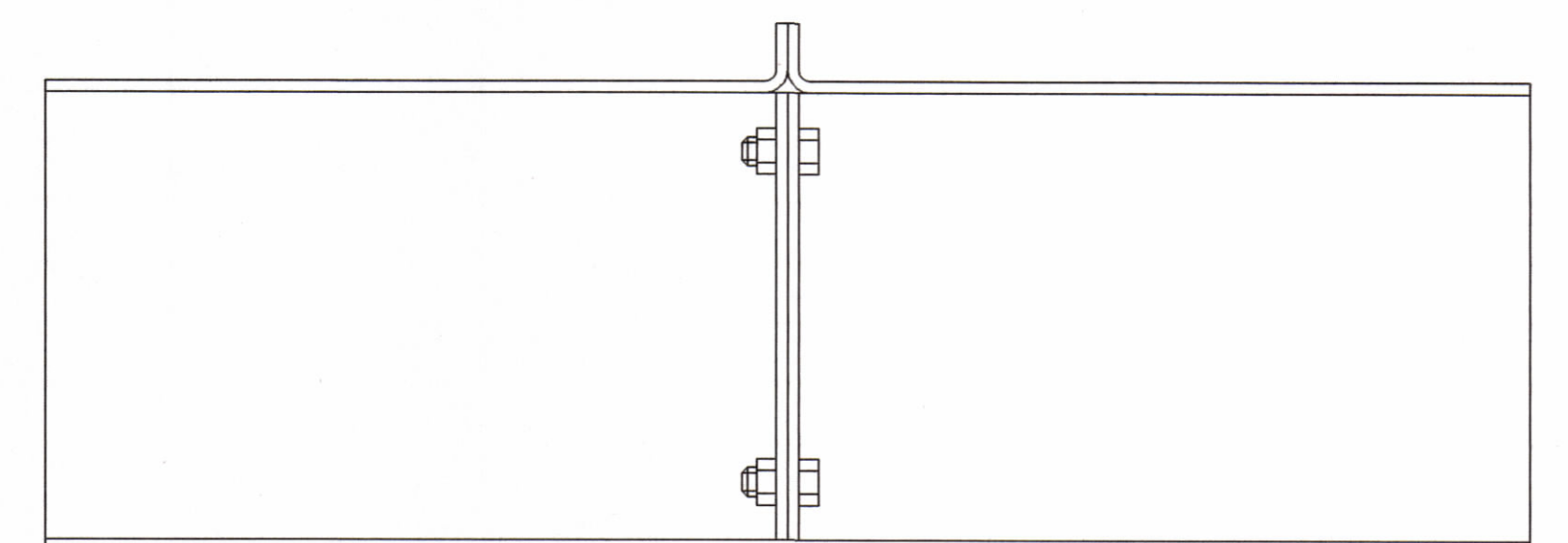
PLAN VIEW



END VIEW



SIDE VIEW



END VIEW

ENERGY RESEARCH CENTRE
OFFICE USE ONLY

TOLERANCES UNLESS OTHERWISE SPECIFIED	DECIMALS	APPLIED STANDARD	DIMENSIONS IN mm OTHERWISE SPECIFIED. <u>DO NOT SCALE</u>
	NO DECIMAL PLACE ± 0.25 ONE DECIMAL PLACE ± 0.10 TWO DECIMAL PLACES ± 0.05	AS 1100	
	ANGLES EXPRESSED IN DEGREES AND MINUTES	SURFACE TEXTURE UNLESS OTHERWISE SPECIFIED LINE REMOVE ALL SHARP EDGES AND BURRS UNLESS OTHERWISE SPECIFIED	
	±1° ±0° 30'		

ANUTECH
Technology Marketing
Physical Sciences Division
ENERGY RESEARCH CENTRE
GPO Box 4 CANBERRA ACT 2601 AUSTRALIA
Tel: 61 6 249 3811 Fax: 61 6 257 1433

PROJECT MANAGER :

Date	13/7/99	Scale	N.T.S.
Designed	GM	Drawn	GM
Checked	SK	Job No.	

400 m ² POWER DISH
DRAWING TITLE :
OPTICAL ENCODER COVER

Drawing Number	Amdt.
98PD-SER-09	