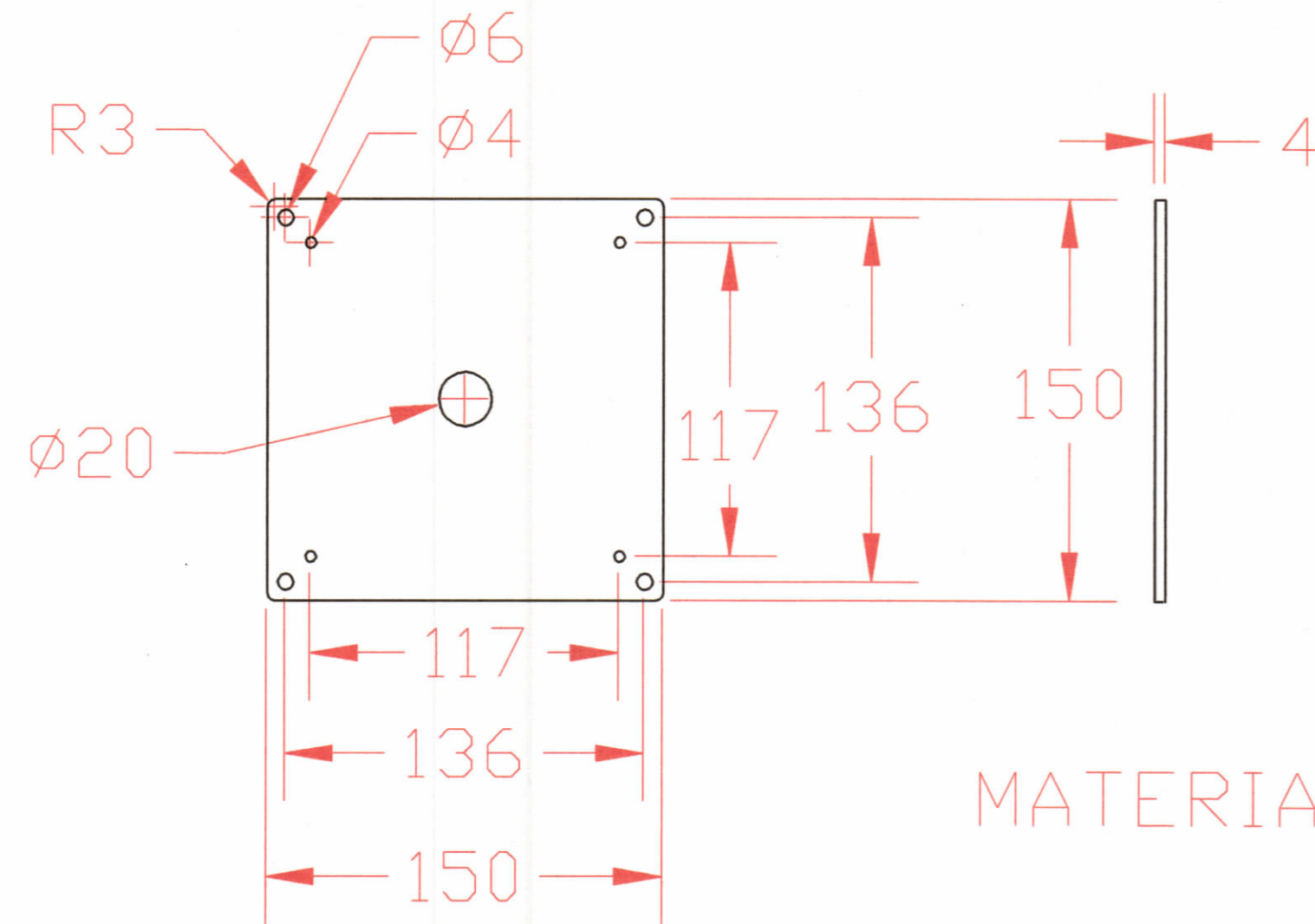


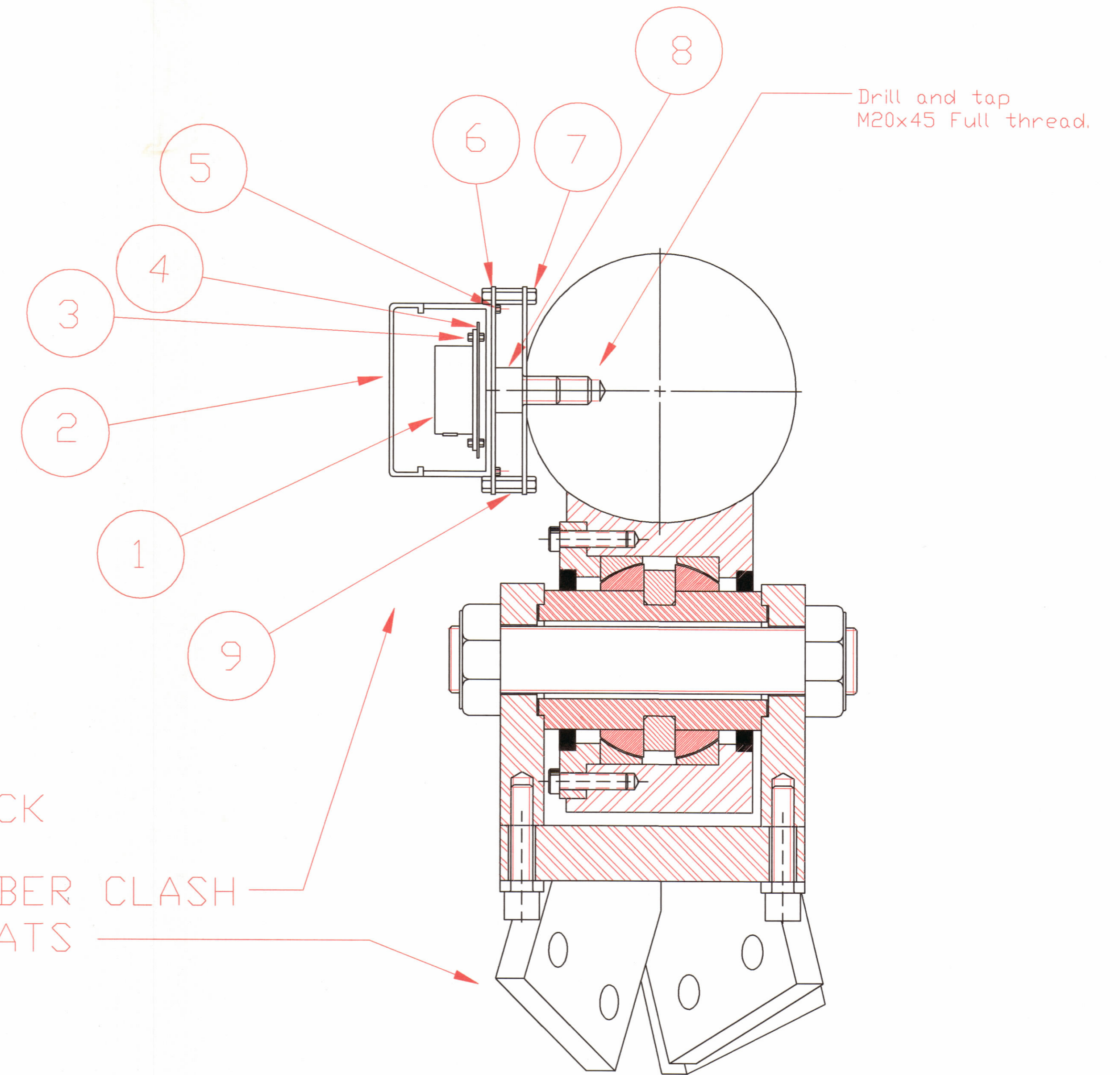
ITEM 6

SPACER PLATES.



MATERIAL: ZINC PLATED MILD STEEL.

LEFT HAND PIVOT VIEWED FROM THE REAR OF THE DISH.



CHECK MEMBER CLASH CLEATS

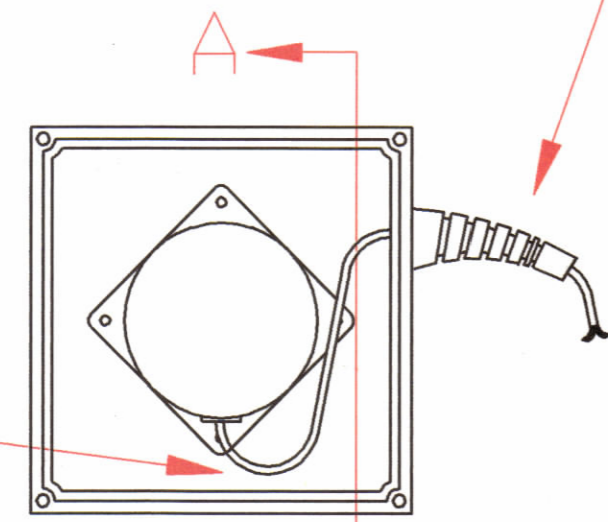
CABLE GLAND AND STRAIN RELIEF

POLYCARBONATE BOX TO IP67. ITEM 2

CLEAR POLYCARBONATE LID. ALLOWS QUICK VISUAL CHECK FOR CONDENSATION

GREY POLYCARBONATE BASE

10



LOOP THIS CABLE AS SHOWN.

SECTION A-A

FIT INCLINOMETER WITH PLUG SOCKET AT LOWEST POINT SO THAT ANY CONDENSATION CAN DRAIN AWAY.

10	CABLE GLAND WITH CABLE SUPPORT	1	SN. 182-528	RS COMPONENTS
9	SPACER, THREADED	4	SN. 603-542	RS COMPONENTS.
8	SOCKET HEAD CAP SCREW M20x25	1	12.9	UNBRAKO
7	BOLTS M6x10	8	PLATED MS	98PD-SER-15
6	MOUNTING SPACER PLATES	2	PLATED MS	
5	SLOTTED PAN HEAD SCREW WITH NUT	4	M4x10 SS.	
4	BACKING PLATE	1	SN. 504-186	RS COMPONENTS.
3	BOLT WITH NUT	4	M3x8 SS	
2	IP 67 MINI-BOX	1	SN. 220-210	RS COMPONENTS.
1	A2 INCLINOMETER.	1	SN. A2-S-I	US DIGITAL CORP.
ITEM	DESCRIPTION	QTY	MAT'L	REFERENCE DWG. & REMARKS

TOLERANCES UNLESS OTHERWISE SPECIFIED	DECIMALS	APPLIED STANDARD	DIMENSIONS IN mm OTHERWISE SPECIFIED. DO NOT SCALE
	NO DECIMAL PLACE	AS 1100	
	ONE DECIMAL PLACE		
	TWO DECIMAL PLACES		
			SURFACE TEXTURE UNLESS OTHERWISE SPECIFIED
			REMOVE ALL SHARP EDGES AND BURRS UNLESS OTHERWISE SPECIFIED
			ANGLES EXPRESSED IN DEGREES AND MINUTES

ANUTECH
 Technology Marketing
 Physical Sciences Division
ENERGY RESEARCH CENTRE
 GPO Box 4 CANBERRA ACT 2601 AUSTRALIA
 Tel: 61 6 249 3811 Fax: 61 6 257 1433

PROJECT MANAGER :

Date	29/7/99	Scale	NTS
Designed	GM	Drawn	GM
Checked	SK	Job No.	

400 m² POWER DISH

DRAWING TITLE :

HORIZONTAL AXIS :
OPTICAL ENCODER

Drawing Number	Amdt.
98PD-SER-15	