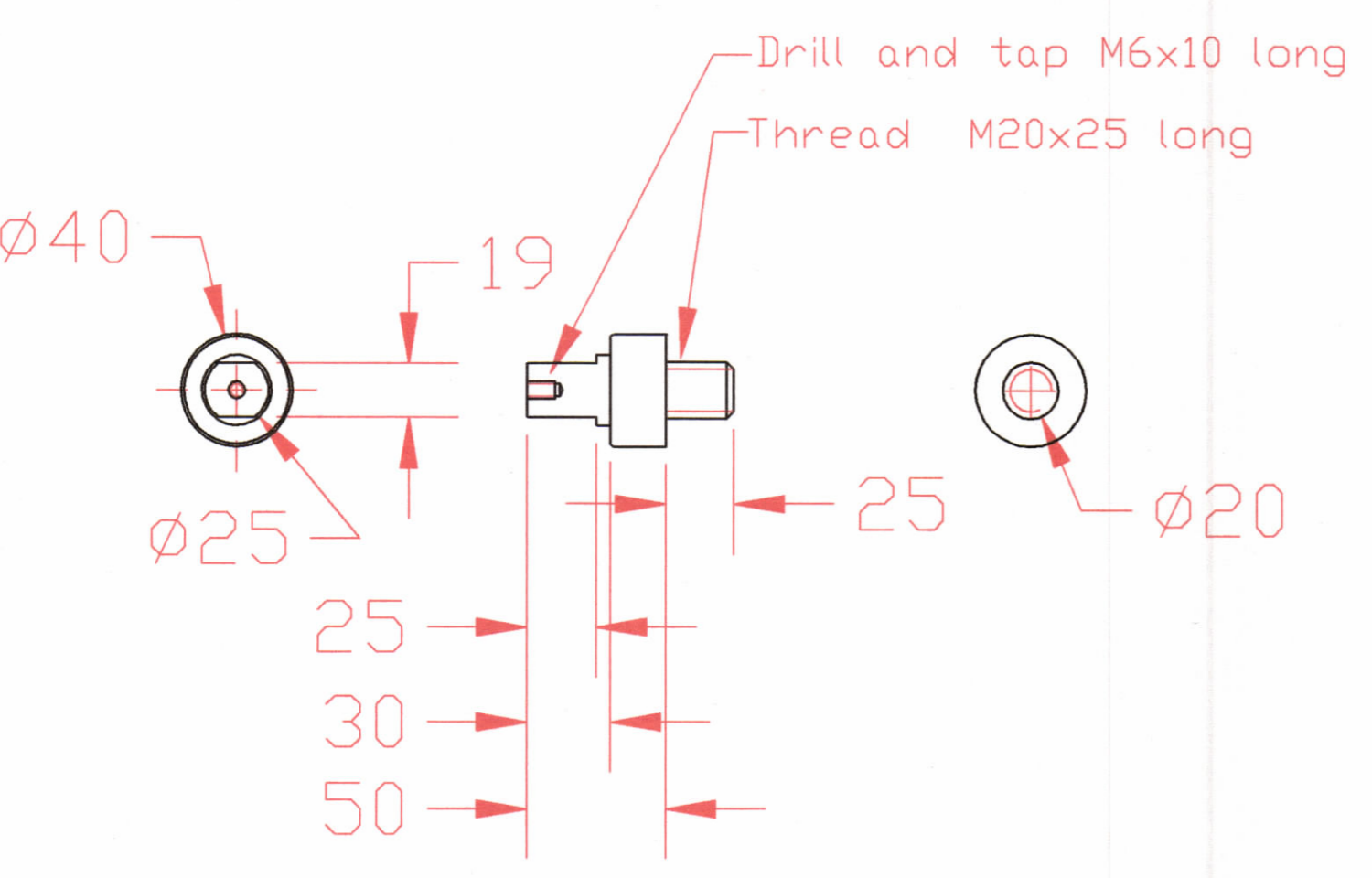
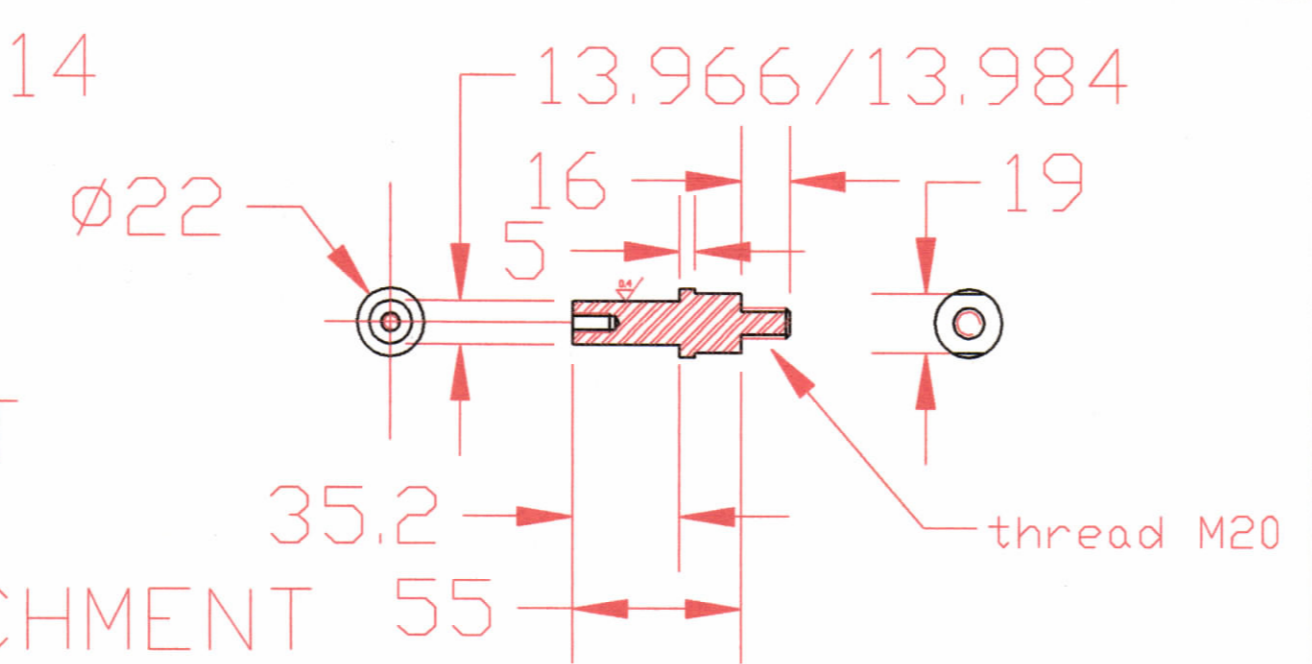


ITEM 13 NODE ATTACHMENT



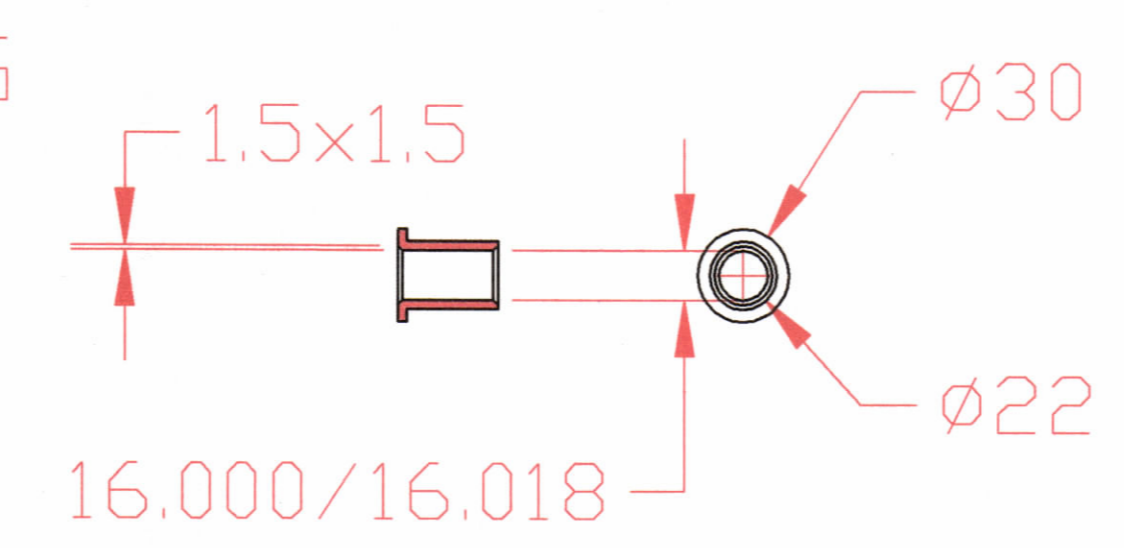
ITEM 14

PIVOT BOLT ATTACHMENT

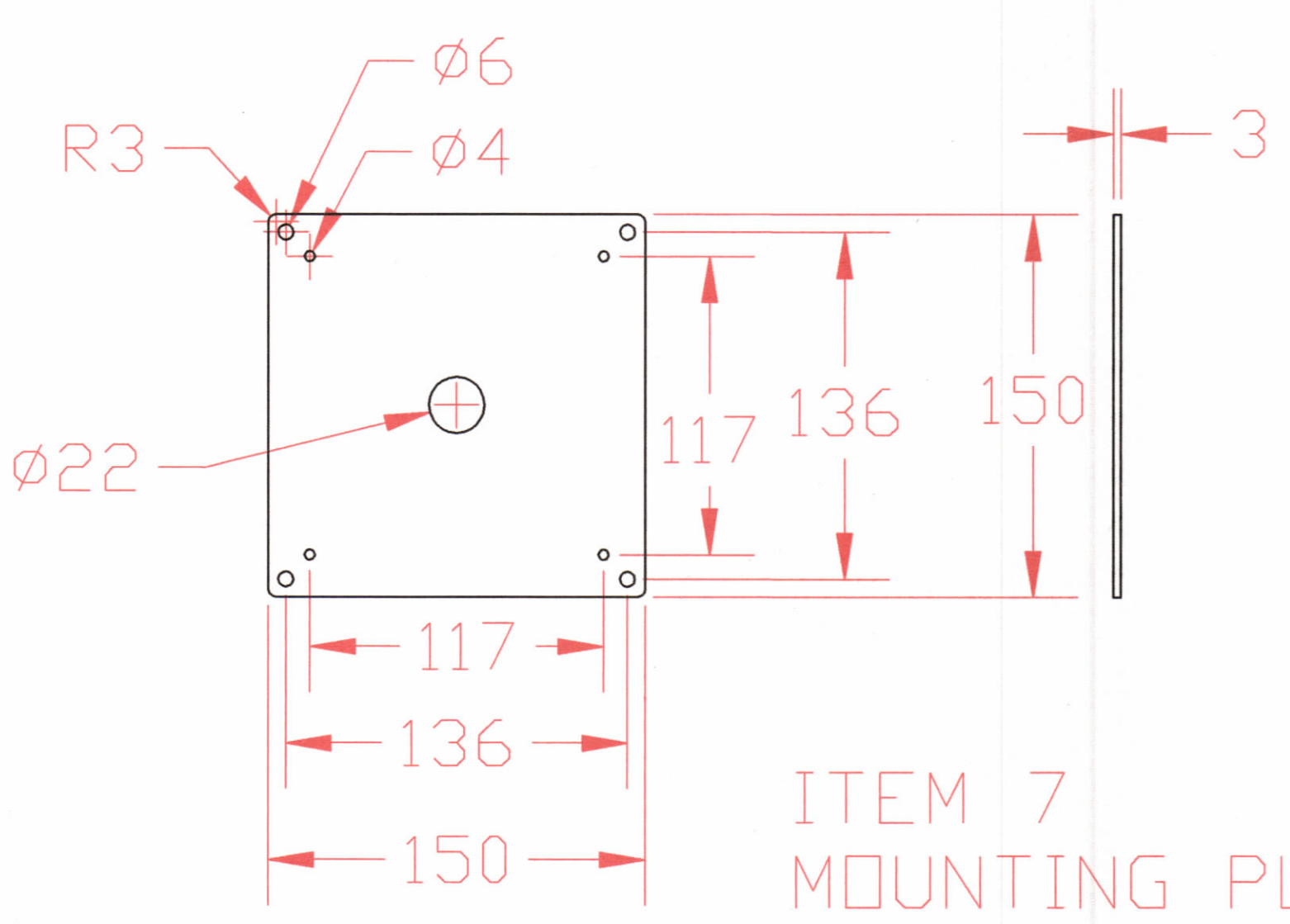
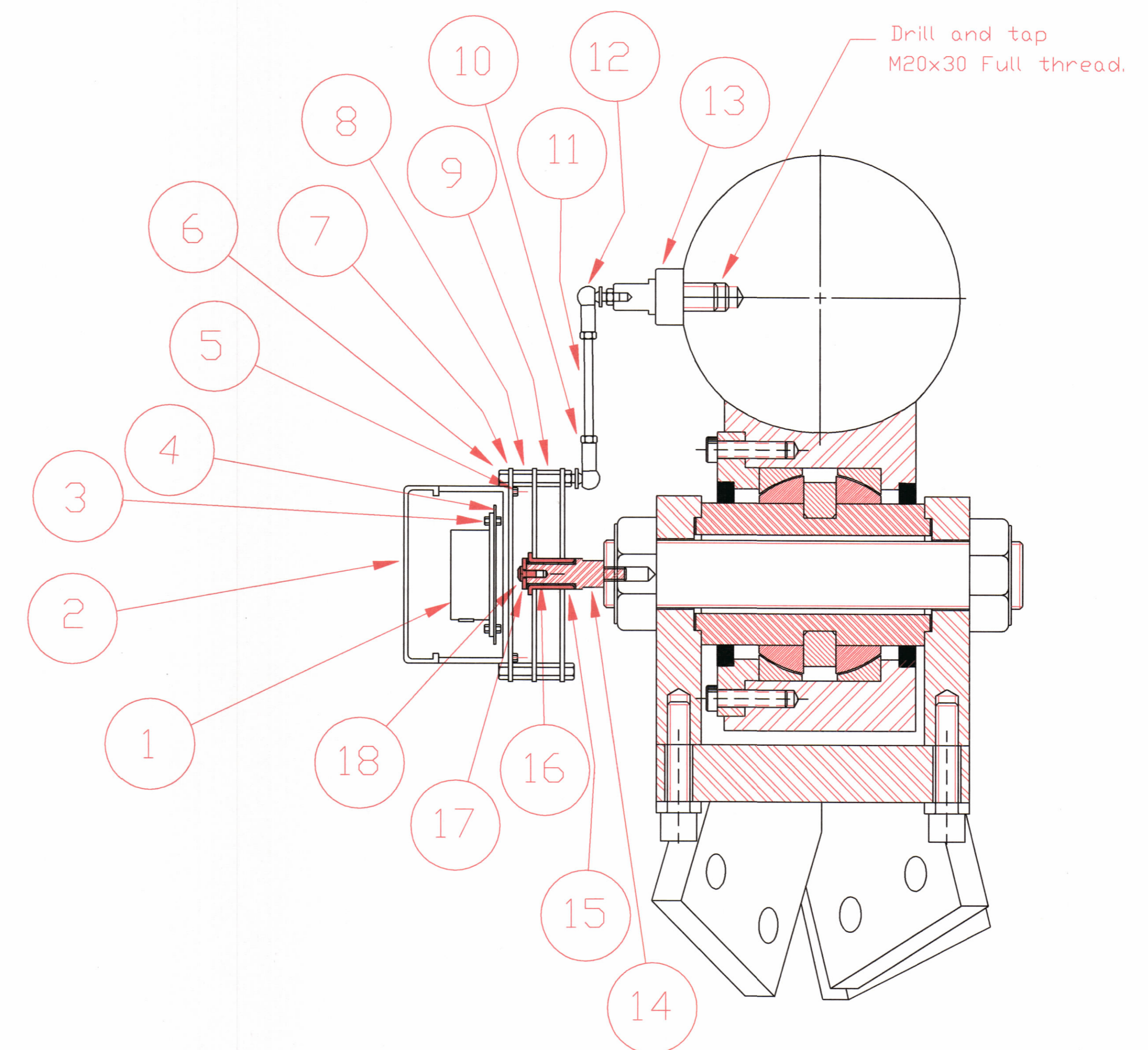


BEARING SLEEVE

ITEM 15



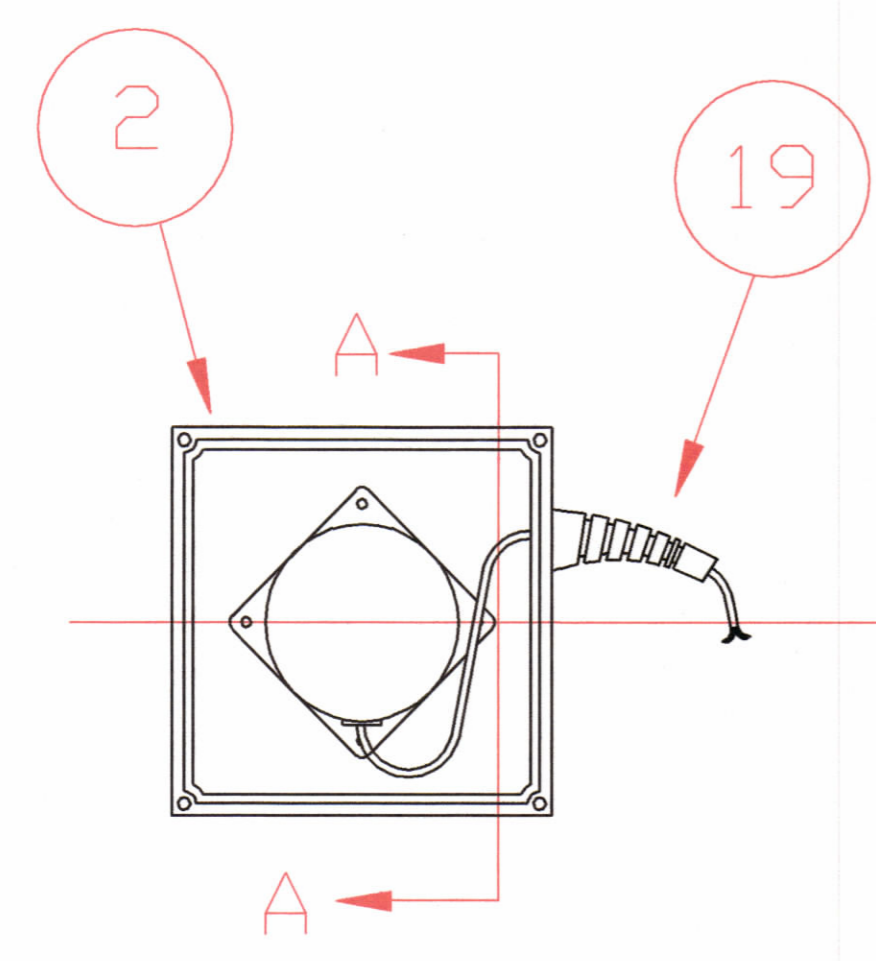
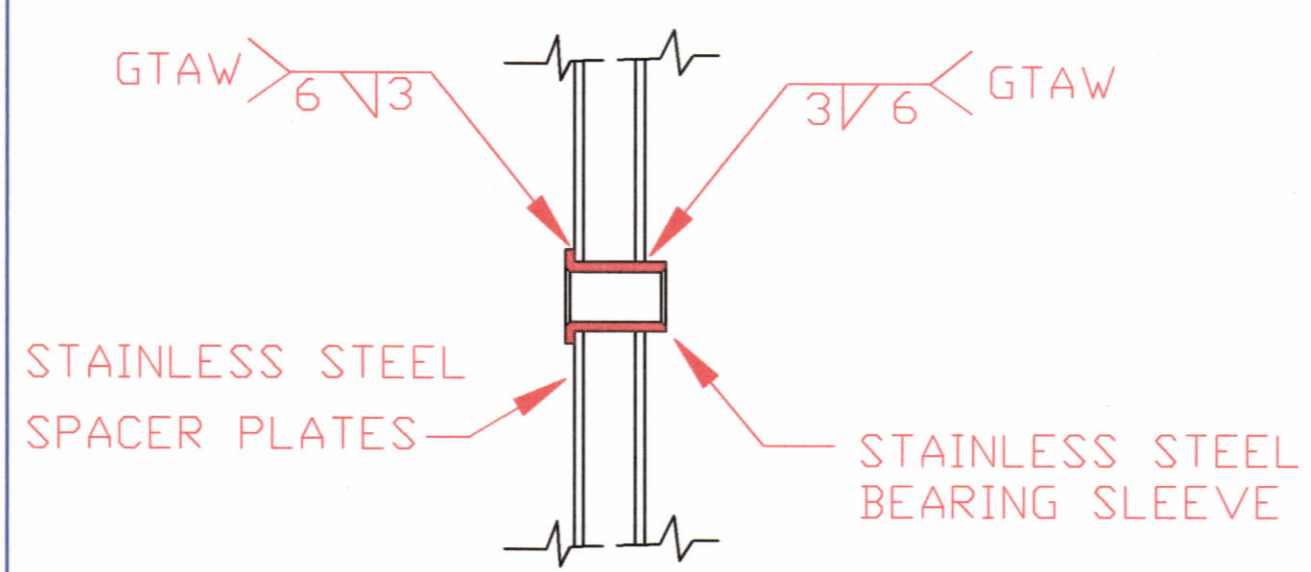
LEFT HAND PIVOT VIEWED FROM THE REAR OF THE DISH.



ITEM 7 MOUNTING PLATE

WELD DETAIL

WELD FOUR PLACES EACH SIDE



CLEAR POLYCARBONATE LID. ALLOWS QUICK VISUAL CHECK FOR CONDENSATION
GREY POLYCARBONATE BASE

SECTION A-A

19	CABLE GLAND WITH CABLE SUPPORT	1	SN. 182-528	RS COMPONENTS
18	SOCKET BUTTON HEAD SCREW M6x10 LONG	1	STAINLESS STEEL	UNBRAKO
17	WASHER 22 O.D. x 6 I.D. x 3 THK.	1	STAINLESS STEEL	98PD-SER-16
16	GLYCIDUR FLANGED BEARING	2	GLYPBG 141612 F	SKF
15	BEARING SLEEVE	1	STAINLESS STEEL	98PD-SER-16
14	PIVOT BOLT ATTACHMENT	1	STAINLESS STEEL	98PD-SER-16
13	NODE ATTACHMENT	1	STAINLESS STEEL	98PD-SER-16
12	BALL AND SOCKET JOINT M6	2	SN. 689-401	RS COMPONENTS
11	THREADED ROD M6x100LONG	1	ZINC PLATED MS	98PD-SER-16
10	LOCK NUT, M6	2	SN. 603-54E	RS COMPONENTS.
9	SPACER, M6x20 LONG TYPE 2	4	SN. 603-508	RS COMPONENTS.
8	SPACER, M6x14 LONG TYPE 1	4	SN. 603-508	98PD-SER-16
7	MOUNTING SPACER PLATES	3	STAINLESS STEEL	98PD-SER-16
6	BOLTS M6x10	7	STAINLESS STEEL	98PD-SER-16
5	SLOTTED PAN HEAD SCREW WITH NUT M4x10	4	STAINLESS STEEL	98PD-SER-16
4	BACKING PLATE	1	SN. 504-186	RS COMPONENTS.
3	BOLT WITH NUT M3x8	4	STAINLESS STEEL	98PD-SER-16
2	IP 67 MINI-BOX	1	SN. 220-210	RS COMPONENTS.
1	A2 INCLINOMETER.	1	SN. A2-S-1	US DIGITAL CORP.

TOLERANCES UNLESS OTHERWISE SPECIFIED	DECIMALS	APPLIED STANDARD	DIMENSIONS IN mm OTHERWISE SPECIFIED. DO NOT SCALE
	NO DECIMAL PLACE ± 0.25	AS 1100	SURFACE TEXTURE UNLESS OTHERWISE SPECIFIED
	ONE DECIMAL PLACE ± 0.10		REMOVE ALL SHARP EDGES AND BURRS UNLESS OTHERWISE SPECIFIED
	TWO DECIMAL PLACES ± 0.05		
ANGLES EXPRESSED IN DEGREES ± 1'			
EXPRESSED IN DEGREES AND MINUTES ± 0' 30"			

ANUTECH
Technology Marketing
Physical Sciences Division
ENERGY RESEARCH CENTRE
GPO Box 4 CANBERRA ACT 2601 AUSTRALIA
Tel: 61 6 249 3811 Fax: 61 6 257 1433

PROJECT MANAGER :

Date 11/8/99 Scale NTS

Designed GM Drawn GM

Checked SK Job No.

400 m² POWER DISH

DRAWING TITLE: OPTICAL ENCODER

Inclinometer version,
Horizontal axis mounted

ITEM	DESCRIPTION	QTY	MAT'L	REFERENCE DWG. & REMARKS
				Drawing Number Amdt.
				98PD-SER-16 A